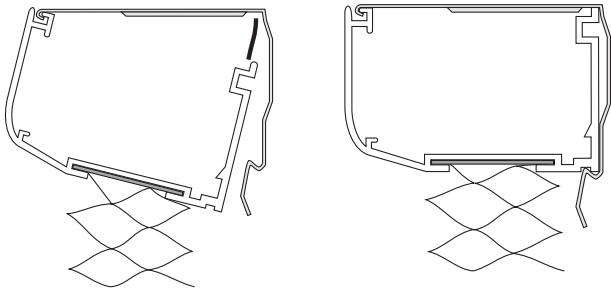


HANGING THE SHADE

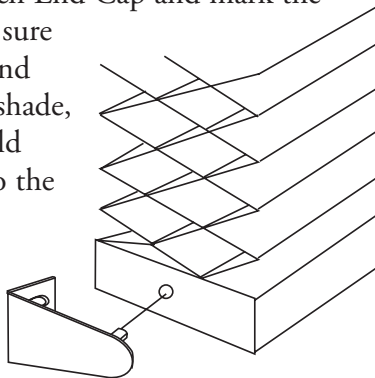


1. Hold the shade up near the brackets and insert the front hook into the front groove of the rail.
2. Make sure the shade is centered in the window opening.
3. Rock the back of the headrail up into the brackets until it “snaps” into place. Check to make sure that the brackets are securely attached to the rail before operating.

To remove the shade, push in on the tab on the bottom of the bracket, rock the back of the rail down and carefully take down the shade with both hands.

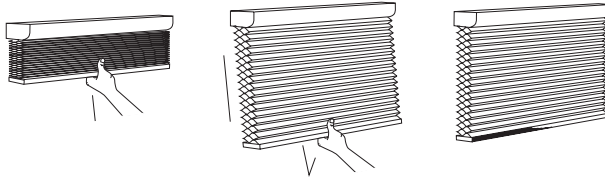
OPTIONAL HOLD DOWN BRACKET

Optional Hold Down Brackets are mounted with the supplied screws. With the shade at its proper drop, place the pin of each Hold Down into the hole in each End Cap and mark the screw holes. Make sure the pins are level and aligned. Raise the shade, then screw the Hold Down Bracket into the mounting surface.

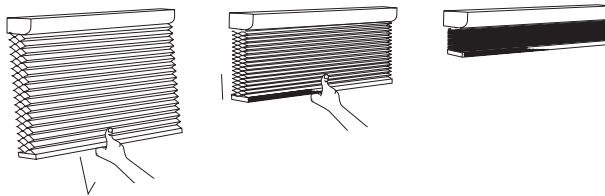


OPERATING THE SHADE

To lower shade, pull bottom rail down slightly beyond desired position and let tension spring pull the bottom rail up very slowly until catch mechanism engages and locks the bottom rail in position.



To raise the shade, pull down slightly on bottom rail to release the catch mechanism and allow the tension spring to unwind thereby causing the lift cords to wind around the rollers and lift the bottom rail.



CLEANING AND CARE

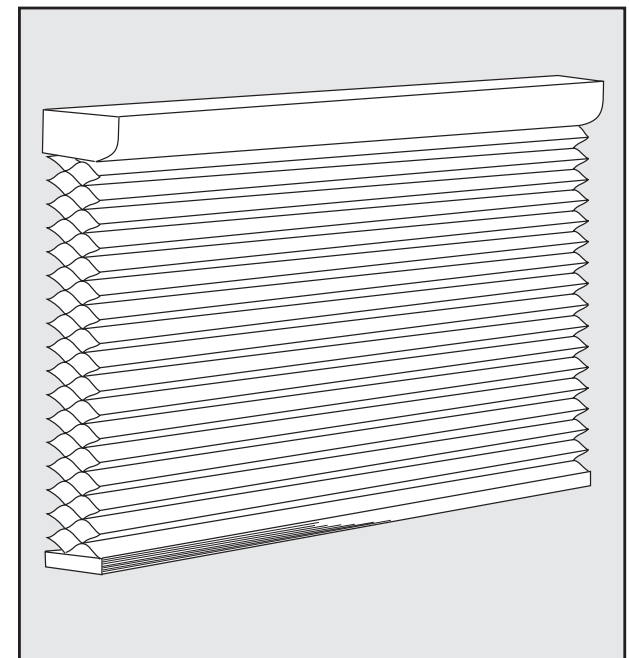
The Honeycomb fabric is easy to care for. Regular dusting with a feather duster or vacuum cleaner brush is recommended. Most stains can be blotted with a damp sponge and mild detergent. For problem stains, the shade can be removed from the Installation brackets and soaked in warm water. Important: DO NOT immerse headrail in water. When damp, raise shade tightly to re-crisp pleats. Before using anything stronger than mild detergent and lukewarm water, test an unobtrusive corner of the shade. If you have any questions, call your dealer for advice.

KENSINGTON

WINDOW EXPRESSIONS™

HONEYCOMB CORDLESS SHADE

INSTALLATION INSTRUCTIONS



Manufactured By

K KENSINGTON
WINDOW EXPRESSIONS™
Art for windows™

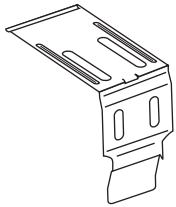
BASICS

A few simple tools are required:

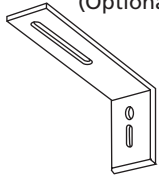
- Measuring tape
- Power drill, drill bits
- Hex head and/or Phillips driver bit
- Pencil

Additional fasteners other than those sent with your shade may be required depending on the mounting surface. Wallboard and plaster require the use of anchors such as expansion or toggle bolts. Brick, tile or stone need special plugs and drill bits. Remember to always pre-drill holes in wood to avoid splitting.

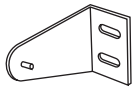
Installation Bracket



Extension Bracket (Optional)



Hold Down Bracket (Optional)



Bugle Head or Dry Wall Screw mounting in wood or sheetrock



Hex Head Screw mounting in metal



Cordless shades are constructed as either an Inside Mount or an Outside Mount. The Installation Bracket can be mounted inside the window opening, for an inside mount, or on the moulding or wall above the window for an outside mount. The Extension Bracket and the Hold Down Bracket are optional items requested at the time of ordering the shade. The Extension Bracket provides projection of the Installation Bracket in order to clear obstructions. The Hold Down Bracket keeps the shade from swaying and is often used for installation on door windows.

BRACKET INSTALLATION

Shades are shipped with the required number of brackets for proper installation. End brackets should be located with the edge of the bracket 5/8" in from each end. Depending on the width of the shade, additional brackets may be necessary evenly spaced between the two end brackets.

For shade widths of:

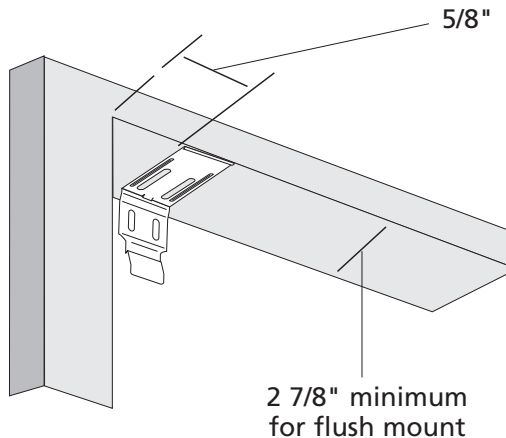
For shade widths of:	Use this number of brackets:
Up to 40"	2
40" to 72"	3
72" to 84"	4
84" and up	5

Use this number of brackets:

Using the Installation Bracket as a template, measure to the edge of the bracket and mark the hole locations with a pencil for drilling. When mounting brackets, make sure they are in line and level.

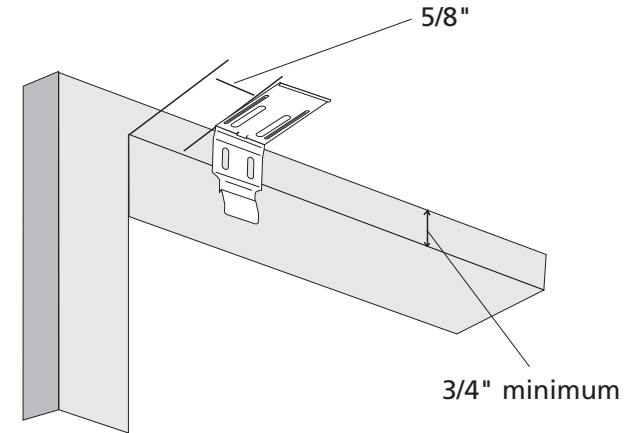
INSIDE MOUNT

The brackets are mounted flat against the top sill surface. To fully recess the shade requires a flat surface with a minimum depth of 2 7/8". Shallow mounting requires 5/8" minimum.

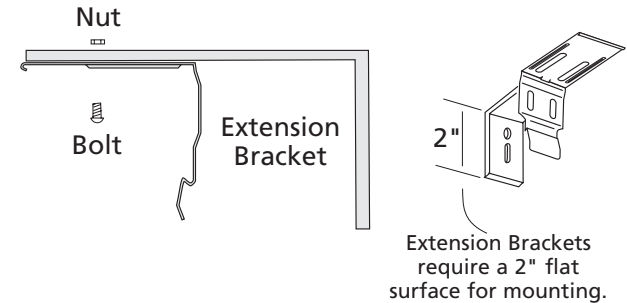


OUTSIDE MOUNT

The brackets are mounted with the back end of the bracket flat against the window molding or the wall above the window. The bracket requires a minimum surface 3/4" high.



OPTIONAL EXTENSION BRACKETS



Optional Extension Brackets are used to project the back of the shade up to 2 3/8" from the mounting surface. Attach the Installation Bracket to the Extension Bracket with the nut and bolt provided.