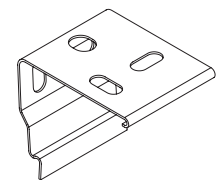


BASICS

A few simple tools are required:

- Measuring tape
- Power drill, drill bits
- Hex head and/or Phillips driver bit
- Pencil

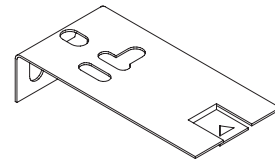
Additional fasteners other than those sent with your shade may be required depending on the mounting surface. Wallboard and plaster require the use of anchors such as expansion or toggle bolts. Brick, tile or stone need special plugs and drill bits. Remember to always pre-drill holes in wood to avoid splitting.



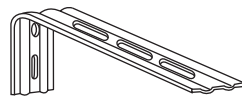
Mounting Bracket



Installation Screw
(2 per Bracket)



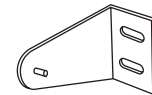
Valance Bracket



Extension Bracket
(optional)



Installation Screw

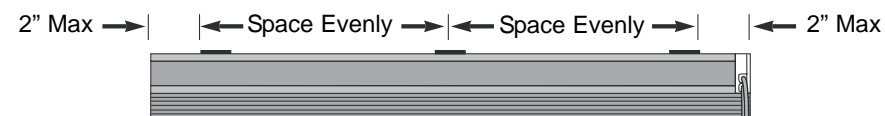


Hold Down Bracket
(optional)

BRACKET INSTALLATION

Shade Width	# of Brackets
<= 40"	2
>40" to 72"	3
>72" to 84"	4
>84" to 102"	5
>102"	6

End brackets should be located with edges no further than 2" in from each end.



Depending on the width of the shade, additional brackets may be necessary evenly spaced between the two end brackets.

Using the Installation Bracket as a template, measure and mark the screw holes. When mounting brackets, make sure they are in line and level.

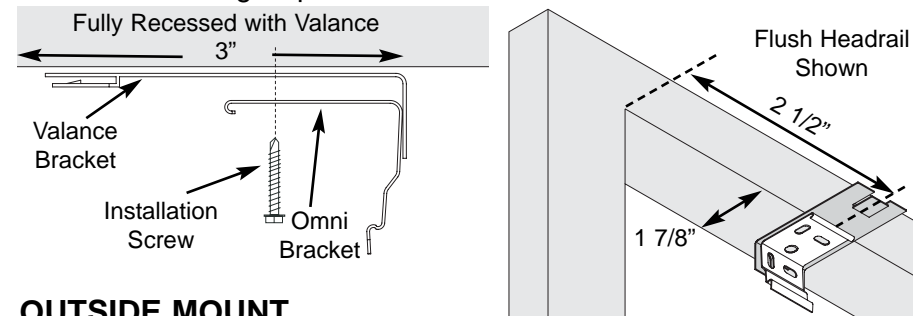
INSIDE MOUNT

The brackets are mounted flat against the top sill surface.

To mount a flush headrail requires a flat surface with a minimum depth of 1 7/8".

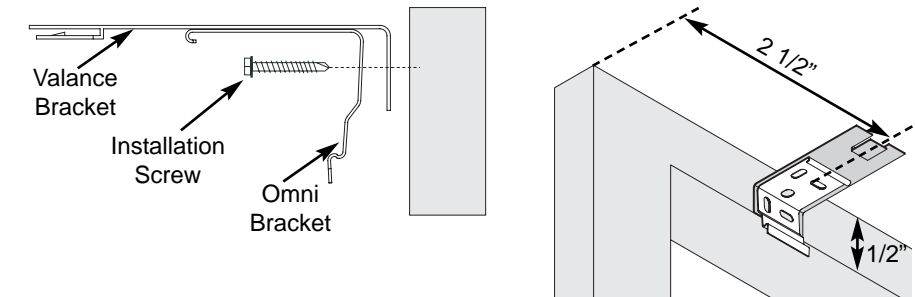
To fully recess a shade with the valance, requires a flat surface with a minimum depth of 3".

Shallow mounting requires 3/4" minimum.



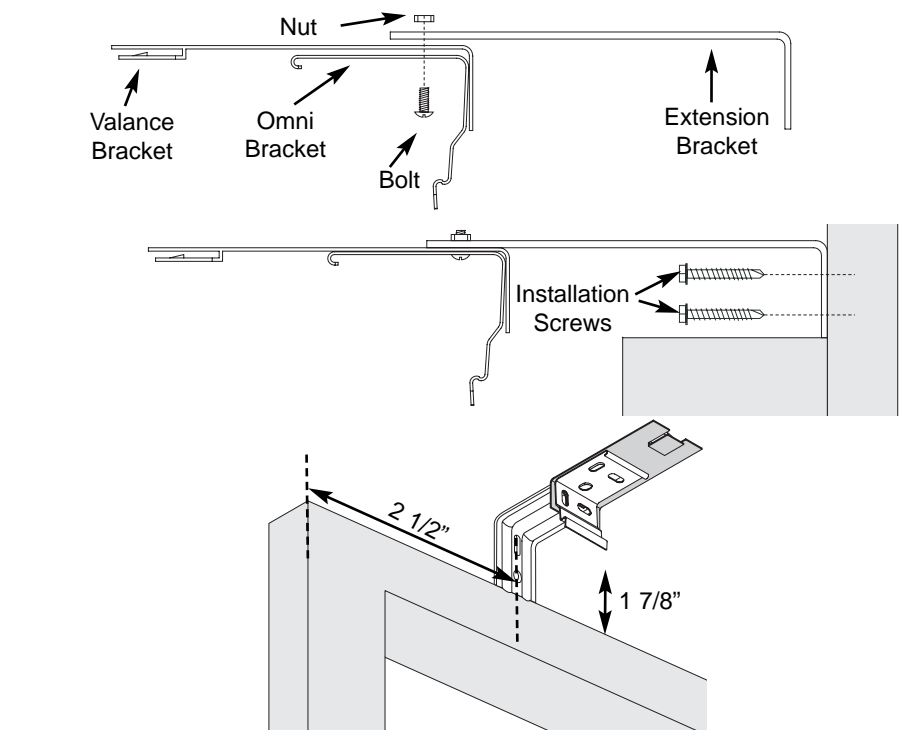
OUTSIDE MOUNT

The brackets are mounted with two screws through the back end of the bracket flat against the window molding or the wall above the window. The bracket requires a minimum surface 1/2" high.



EXTENSION BRACKETS (Optional)

Optional Extension Brackets are used to project the back of the shade up to 3" from the mounting surface. Attach the Installation Bracket to the Extension Bracket with the nut and bolt provided.

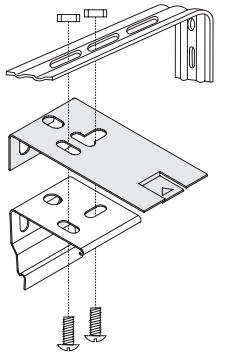


SIDE MOUNT (Optional for Roman Shades)

Measure from window sill up to desired mounting position on each side of the window frame and mark the position.

Mount Extension Brackets on each side of window frame as shown. Make sure to confirm that headrail will sit perfectly level.

Once Extension Brackets are installed and properly positioned, attach the Omni Mounting Bracket and Valance Bracket using the nuts and bolts provided.



CHILD SAFETY

Install Tension Device



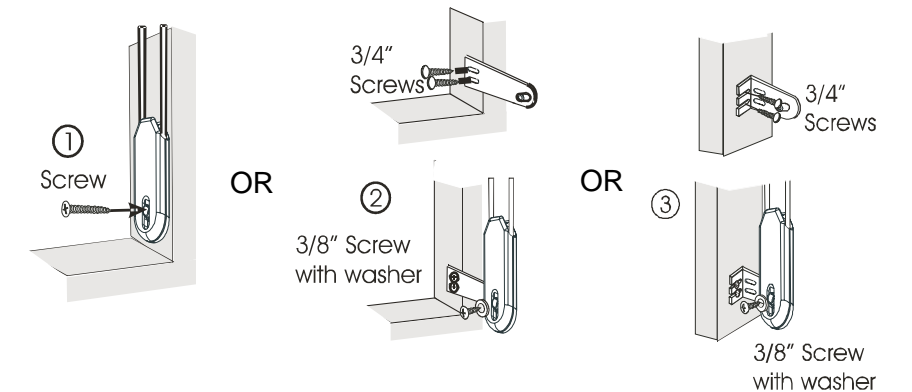
WARNING

The tension device reduces the hazards of strangulation and entanglement of young children by limiting access to the control cord. Anchor the Tension Device that is attached to the blind's control cord, to the window frame or wall, so that young children cannot pull the cords around their necks.

A. Lower the blind.

B. Hold the Tension Device upright and position the device using one of the three methods shown.

C. Position the Tension Device so that the Tension Device and the control cord do not interfere with raising or lowering the blind. The Tension device should be installed without stretching or pulling down on the control cord. Stretching the cord will cause excessive wear. Do not twist or cross the control cord.

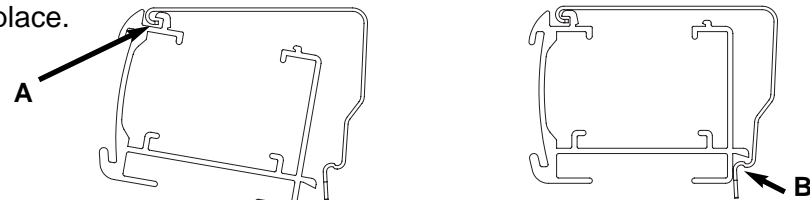


HANGING THE SHADE

First lower the shade to about an inch (2-3cm) below the headrail. This will help keep the fabric from getting caught between the brackets and the headrail.

Position the headrail with the front lip (A) resting on the top hooks of all the brackets. Make sure no fabric is pinched between the brackets and the headrail.

Push the bottom of the headrail firmly upwards and toward the window until the groove at the bottom of the headrail (B) snaps into place.



Push here upwards and toward the window.

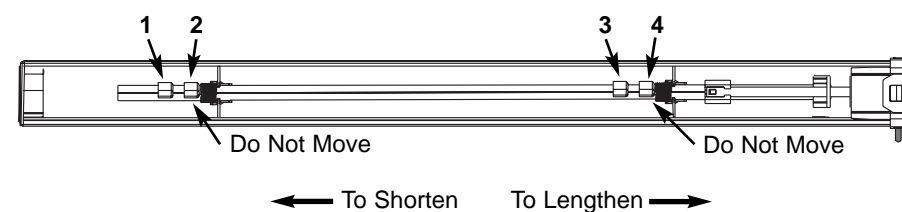
SHADE OPERATION

Operate the shade by pulling down on one side of the cord - one side of the cord raises the shade, the other side lowers the shade. Do not lift the bottom rail with your hands. Also, be careful not to place objects on the window sill that will interfere with operating the shade or cause it to hang unevenly.

ADJUST LENGTH OR EQUALIZATION

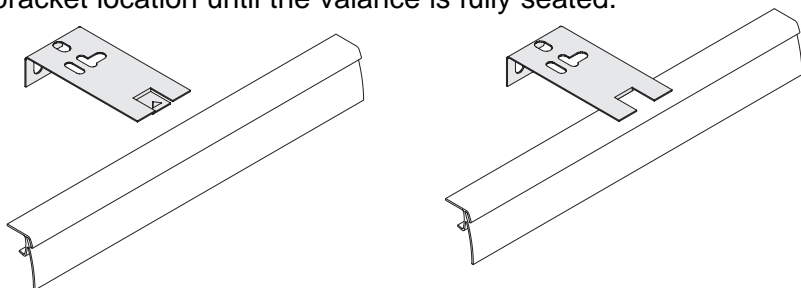
Adjustments can be made by sliding cord clips #1 and #3. Sliding the clips closer to the cradle will lengthen that side. Sliding clips away from the cradle will shorten that side. Clips #2 and #4 must remain equal distances from the cradles.

DO NOT ADJUST CLIPS #2 AND #4



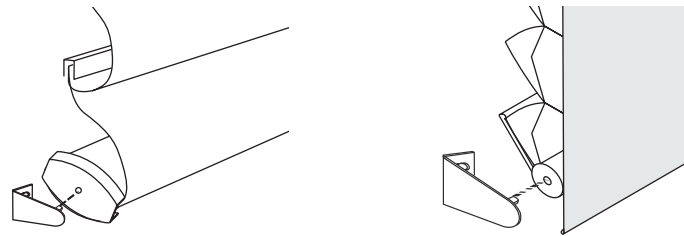
INSTALLING THE VALANCE

Align the valance with the Valance Brackets. Gently push at each bracket location until the valance is fully seated.



HOLD DOWN BRACKET (Optional)

Optional Hold Down Brackets are mounted with the supplied screws. With the shade at its proper drop, place the pin of each Hold Down into the hole in each End Cap and mark the screw holes. Make sure the pins are level and aligned. Raise the shade, then screw the Hold Down Bracket into the mounting surface.



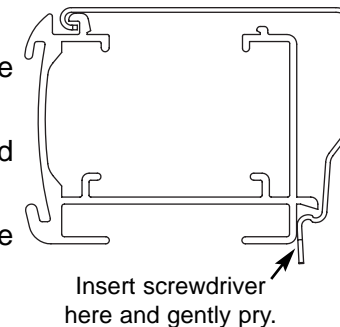
SHADE REMOVAL

To remove a shade, insert a screwdriver between the headrail and bottom back of the bracket (tab which extends out slightly from each bracket).

Gently pry the screwdriver to release the bracket from the headrail.

Take care not to damage the painted finish of the headrail.

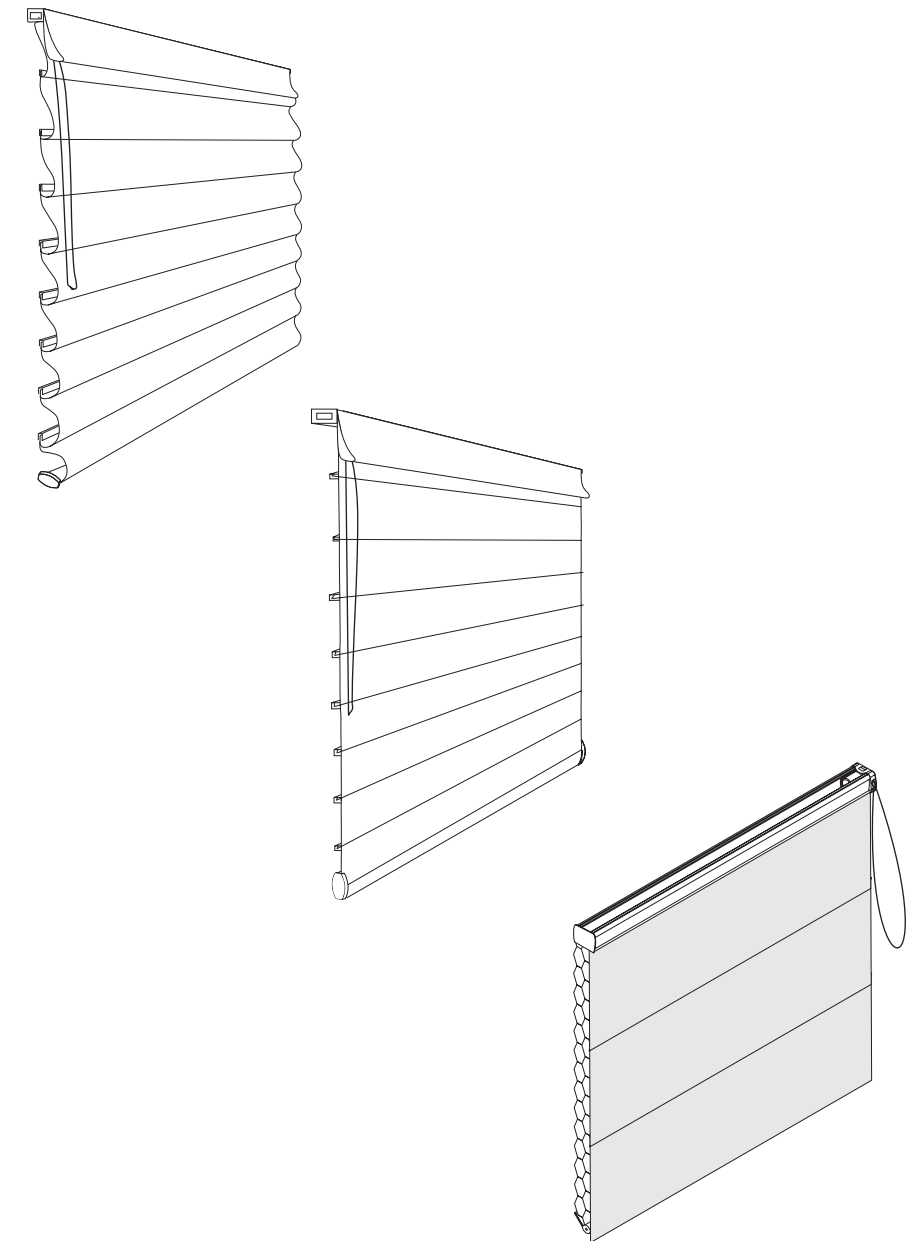
As you release the brackets, support the headrail to keep it from falling.



CLEANING AND CARE

The shades are as easy to clean as they are to operate. Roman fabrics are anti-static and actually repel dust. Occasional vacuuming with a soft bristle attachment is all that is needed. Also, the use of a feather duster or dust buster at a low setting will help keep your shades clean and fresh. Roman shades may also be cleaned ultrasonically.

Installation Instructions for Roman Omni-Rise and Insulated Roman Omni-Rise



Our window fashions represent a design breakthrough in style, efficiency, and function. The unique hardware system is designed to provide years of reliable service when properly installed.

Please take a few minutes to read through these instructions before beginning.